

| POS                        | DESCRIPTION | MATERIALS       | SPARES |
|----------------------------|-------------|-----------------|--------|
| 1                          | Body        | Astm A216 WCB   |        |
| 2                          | Bonnet      | Astm A105       |        |
| 3                          | Screen      | SS 316          | X      |
| 4                          | Gasket      | SS 316 / Graph. | X      |
| 5                          | Stud Bolts  | ASTM A193 B7    |        |
| 6                          | Nuts        | ASTM A194 2H    |        |
| 7                          | Drain Plug  | Astm A105       |        |
| OTHER MATERIALS ON REQUEST |             |                 |        |

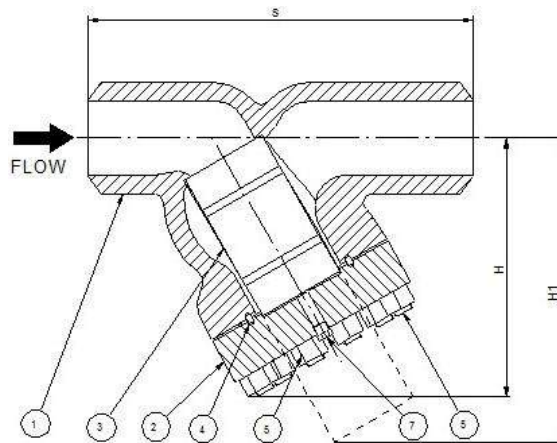
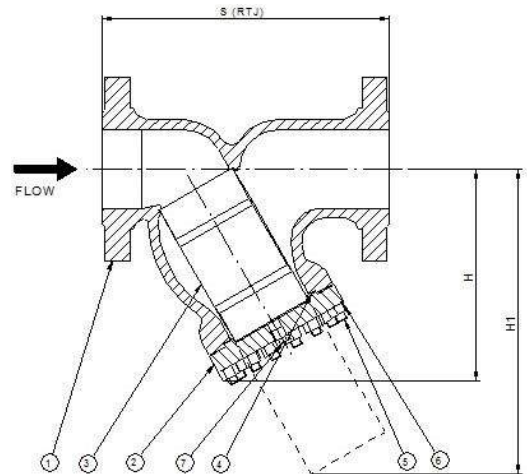
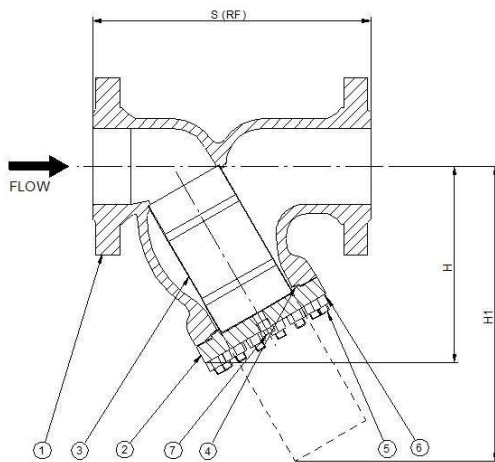
Designed to ANSI B16.34 the strainer bodies are produced with a superior wallthickness for corrosion allowance. Standard strainers are equipped with screens for the average service of most mediums ( steam, gas, air, oil, chemicals , etc. ). The large screen open area ensures an efficient filtering action with a low pressure drop. Filtering area to inlet area ratio is larger than 3 to 1 . Screens area manufactured with perforated plate in the materials and with the perforation specified in the relevant tables . Screens with different perforation ( or wire mesh ) and materials may be manufactured on request.

#### LIMITING CONDITIONS

According to the body rating (ANSI B 16.34)  
C1500 – ANSI 1500. OTHER RATING ON REQUEST

#### CONNECTIONS

|          |              |
|----------|--------------|
| Buttweld | ASME B 16.25 |
| Flanged  | ASME B 16.5  |



| SIZE (INCHES) | 2"  | 3"  | 4"  | 6"    | 8"  |
|---------------|-----|-----|-----|-------|-----|
| S(RTJ)[mm]    | 371 | 473 | 549 | 711.5 | 842 |
| S [mm]        | 368 | 470 | 546 | 705   | 832 |
| H[mm]         | 250 | 325 | 375 | 480   | 620 |
| H1[mm]        | 400 | 540 | 600 | 750   | 900 |
| Weight [kg]   | 60  | 100 | 160 | 400   | 600 |

STANDARD PERFORATIONS: 1.5 mm  
SPECIAL PERFORATIONS ON REQUEST  
DRAIN PLUG: 3/4" NPT