

POS	DESCRIPTION	MATERIALS	SPARES
1	Body	Astm A351 CF8M	
2	Bonnet	Astm A182 F316	
3	Screen	SS 316	X
4	Gasket	SS 316 / Graph.	X
5	Stud Bolts	Astm A193 B8	
6	Nuts	Astm A194 Gr.8	
7	Drain Plug	Astm A182 F316	
OTHER MATERIALS ON REQUEST			

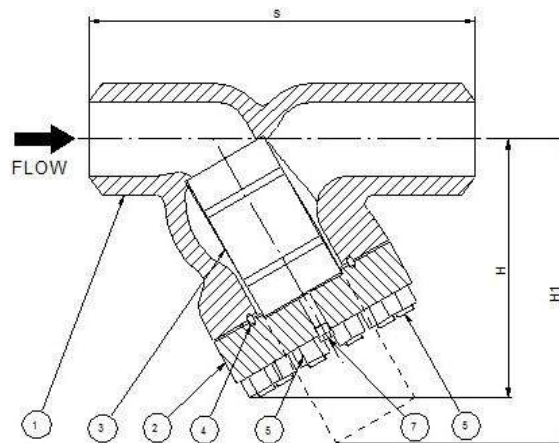
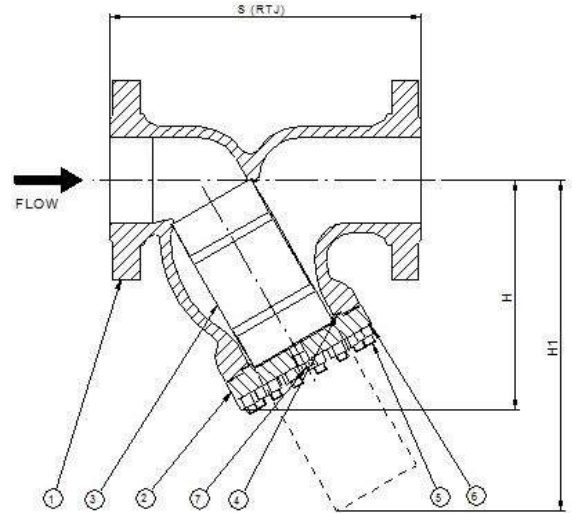
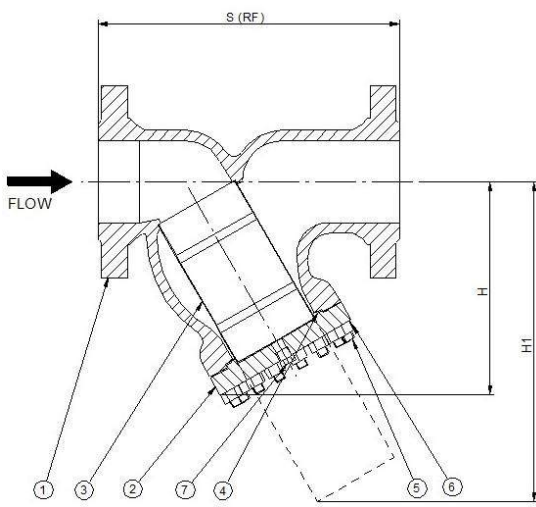
Designed to ANSI B16.34 the strainer bodies are produced with a superior wallthickness for corrosion allowance. Standard strainers are equipped with screens for the average service of most mediums (steam, gas, air, oil, chemicals , etc.). The large screen open area ensures an efficient filtering action with a low pressure drop. Filtering area to inlet area ratio is larger than 3 to 1 . Screens area manufactured with perforated plate in the materials and with the perforation specified in the relevant tables . Screens with different perforation (or wire mesh) and materials may be manufactured on request.

LIMITING CONDITIONS

According to the body rating (ANSI B 16.34)
C300 – ANSI 300. OTHER RATING ON REQUEST

CONNECTIONS

Buttweld	ASME B 16.25
Flanged	ASME B 16.5



SIZE (INCHES)	2"	3"	4"	6"	8"	10"	12"	14"	16"	18"	20"	24"
S(RF)[m m]	267	318	356	445	559	622	711	838	864	978	1016	1346
S [mm]	267	318	356	445	559	622	711	838	864	978	1016	1346
H [mm]	175	240	330	380	500	625	740	805	920	1025	1140	1360
H1[mm]	250	275	360	470	575	920	1100	1200	1360	1350	1700	2050
Weight [kg]	20	45	65	105	180	254	430	670	750	863	1125	1625

STANDARD PERFORATIONS: 1.5 mm
SPECIAL PERFORATIONS ON REQUEST
DRAIN PLUG: 3/4" NPT