

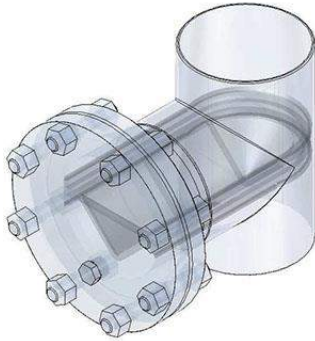
POS	DESCRIPTION	MATERIALS				SPARES
1	Body	ASTM A234 WPB	ASTM A420 WPL6	ASTM WP 403 F316	ASTM A234 WP5	
1.2	Flange	ASTM A105	ASTM A350 LF2	ASTM A182 F316	ASTM A182 F5	
1.3	Guide rods	S.S. 304	S.S. 304	S.S. 304	S.S. 304	
2	Blind flange	ASTM A105	ASTM A350 LF2	ASTM A182 F316	ASTM A182 F5	
3	*Basket	S.S. 304	S.S. 304	S.S. 304	S.S. 304	X
4	Gasket	SS 316 / Graph.	SS 316 / Graph.	SS 316 / Graph.	SS 316 / Graph.	X
5	Stud Bolts	ASTM A193 B7	ASTM A320 L7	ASTM A320 L7	ASTM A193 B7	
6	Nuts	ASTM A194 2H	ASTM A194 Gr.4	ASTM A194 Gr.4	ASTM A194 2H	
7	Plug	ASTM A105	ASTM A350 LF2	ASTM A182 F316	ASTM A182 F5	

OTHER MATERIALS AND DIMENSIONS ON REQUEST

* BASKET TYPE: V - W - WW - Z. Basket configuration depend of % ratio requested by customer

CONNECTIONS

Buttweld	ANSI B16.25
Flanged	ASME B 16.5



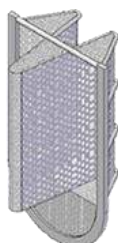
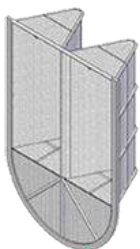
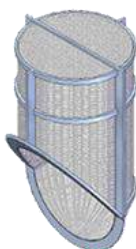
Designed according to ANSI B16.34 the strainer bodies are produced with a superior wallthickness for corrosion allowance. Standard strainers are equipped with screens for the average service of most mediums (steam, gas, air, oil, chemicals , ect.). The large screen open area ensures an efficient filtering action with a low pressure drop. Filtering area to inlet area ratio is larger than 3 to 1 . Screens area manufactured with perforated plate in the materials and with the perforation specified in the relevant tables . Screens with different perforation (or wire mesh) and materials may be manufactured on request.

SIZE	2"	3"	4"	6"	8"	10"
S	127	172	210	286	356	432
SF	254	312	363	464	560	636
H	148	182	208	260	311	351

Dimension : SF , S , H are in millimeters (mm)

SIZE	12"	16"	18"	20"	24"	26"
S	508	610	686	762	864	990
SF	737	864	966	1052	1169	1235
H	403	472	525	571	635	688

Dimension : SF , S , H are in millimeters (mm)


V TYPE

W TYPE

WW TYPE

Z TYPE

HOW TO SERVICE

Strainer maintenance should be made at least once year, or whenever the pressure drop is found to be in excess of the normal figures. A quick clean-up system, to made approximately once a mounth. For a complete maintenance follow the points herebelow:

1. Be sure that the main line has been shut-off
2. Untighten cover stud bolts (5) and nuts (6) and remove cover [blind flange] (2) and gasket (4)
3. Withdraw basket (3) an carefully inspect it for damages. If any hole in the screen is found abstracted, clean it with compressed air and / or any suitable tool. If the basket is broken in any part or out of shape, replace it with a new spare one.
4. Carefully clean the inside of the strainer body
5. Fit a new gasket (4)
6. Install the new screen or the cleaned one (3)
7. Put in place cover (2)
8. Slowly give pressure to the line, checking for leakages
9. Write on the strainer body the date of this maintenance operation