

PO S	DESCRIPTIO N	MATERIALS		SPARES
1	Body	ASTM A216 WCB	ASTM A351 CF8M	
2	Bonnet	ASTM A105	ASTM A182 F316	
3	Screen	SS 304	SS 316	X
4	Gasket	SS 304	A182 F316	X
5	Stud Bolts	ASTM A193 B7	ASTM A320 L7	
6	Nuts	ASTM A194 2H	A194 Gr.4	
7	Drain Plug	A105	S.S. 316	
8	Disk Joint	ASTM A105	A182 F316	
9	Retain ring	ASTM A182 F6	A182 F6	
10	Ring	ASTM A182 F6	A182 F6	
OTHER MATERIALS ON REQUEST				

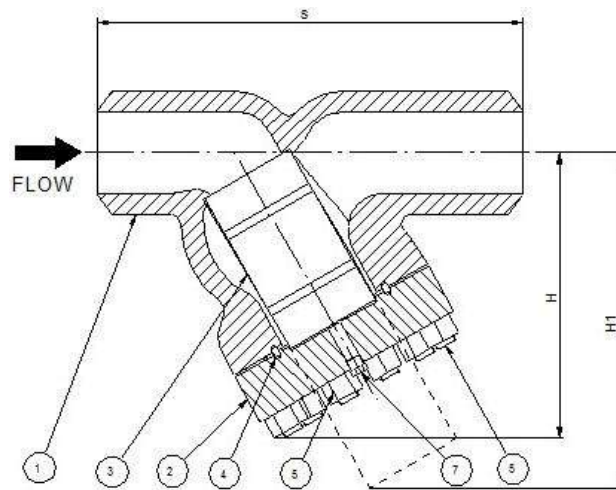
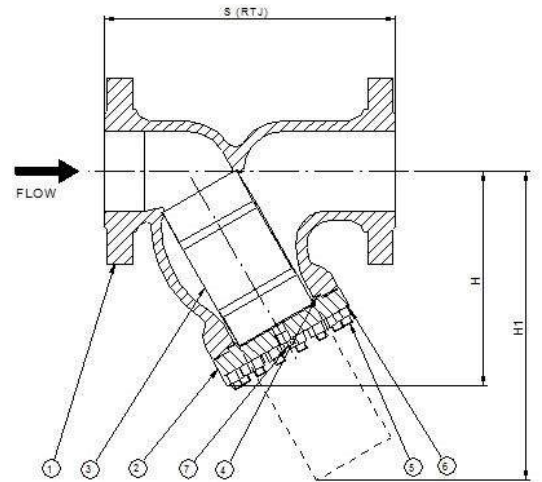
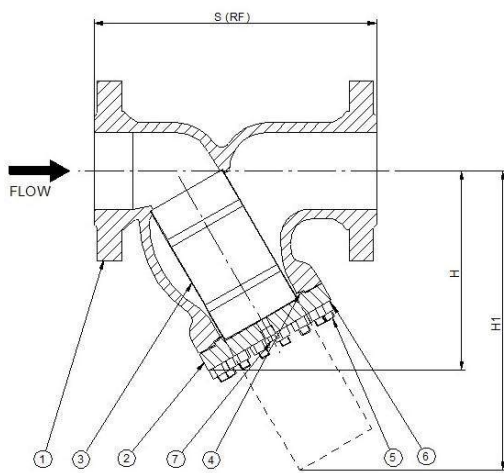
Designed to ANSI B16.34 the strainer bodies are produced with a superior wallthickness for corrosion allowance. Standard strainers are equipped with screens for the average service of most mediums (steam, gas, air, oil, chemicals , etc.). The large screen open area ensures an efficient filtering action with a low pressure drop. Filtering area to inlet area ratio is larger than 3 to 1 . Screens area manufactured with perforated plate in the materials and with the perforation specified in the relevant tables . Screens with different perforation (or wire mesh) and materials may be manufactured on request.

LIMITING CONDITIONS

According to the body rating (ANSI B 16.34)
C1500 – ANSI 1500. OTHER RATING ON REQUEST

CONNECTIONS

Buttweld	ASME B 16.25
Flanged	ASME B 16.5



SIZE	10"	12"	14"	16"
S(RTJ)[mm]	1000	1146	1276	1407
S(RF)[mm]	991	1130	1257	1384
S [mm]	864	991	1067	1194
H [mm]	700	800	970	1150
H1 [mm]	1100	1300	1500	1700
Weight [kg]	1200	1500	2320	2750

STANDARD PERFORATIONS: 1.5 mm
SPECIAL PERFORATIONS ON REQUEST
DRAIN PLUG: 3/4" NPT