

POS	DESCRIPTION	MATERIALS		SPARES
1	Body	ASTM A216 WCB	ASTM A351 CF8M	
2	Bonnet	ASTM A105	ASTM A182 F316	
3	Screen	SS 316	SS 316	X
4	Gasket	SS 316 / Graph.	SS 316 / Graph.	X
5	Stud Bolts	Astm A193 B7	ASTM A320 L7	
6	Nuts	ASTM A194 2H	ASTM A194 Gr.4	
7	Drain Plug	ASTM A105	Astm A182 F316	
OTHER MATERIALS ON REQUEST				

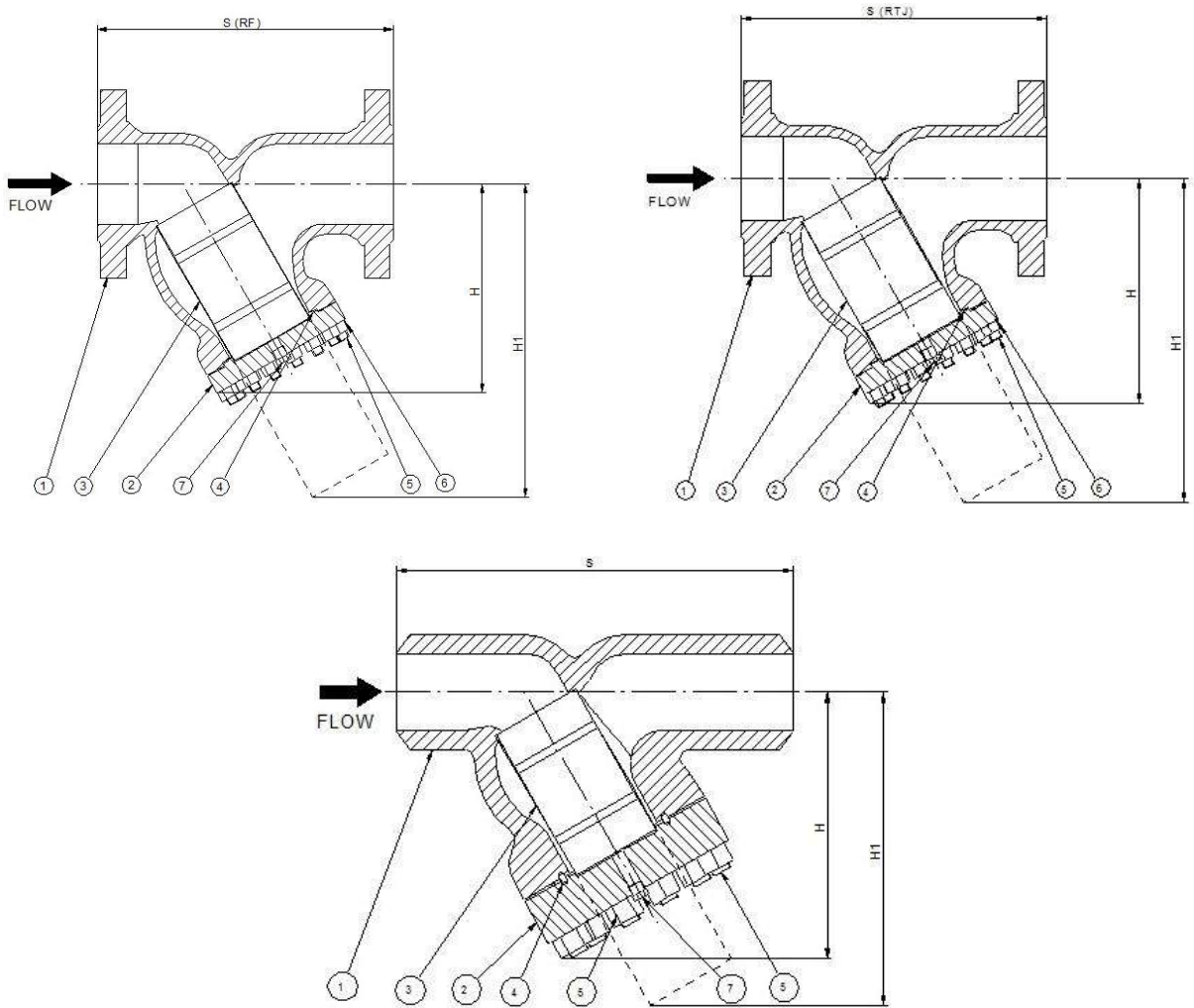
Designed to ANSI B16.34 the strainer bodies are produced with a superior wallthickness for corrosion allowance. Standard strainers are equipped with screens for the average service of most mediums (steam, gas, air, oil, chemicals , etc.). The large screen open area ensures an efficient filtering action with a low pressure drop. Filtering area to inlet area ratio is larger than 3 to 1 . Screens area manufactured with perforated plate in the materials and with the perforation specified in the relevant tables . Screens with different perforation (or wire mesh) and materials may be manufactured on request.

LIMITING CONDITIONS

According to the body rating (ANSI B 16.34)
C2500 – ANSI 2500. OTHER RATING ON REQUEST

CONNECTIONS

Buttweld	ASME B 16.25
Flanged	ASME B 16.5



SIZE	2"
S(RTJ)[mm]	467
S(RF)[mm]	451
S [mm]	451
H [mm]	250
H1 [mm]	400
Weight [kg]	60
STANDARD PERFORATIONS: 1.5 mm	
SPECIAL PERFORATIONS ON REQUEST	
DRAIN PLUG: 3/4" NPT	