

POS	DESCRIPTION	MATERIALS		SPARES
1	Body	ASTM A216 WCB	ASTM A351 CF8M	
2	Bonnet	ASTM A105	ASTM A182 F316	
3	Screen	SS 316	SS 316	X
4	Gasket	SS 316 / Graph.	SS 316 / Graph.	X
5	Stud Bolts	Astm A193 B7	ASTM A320 L7	
6	Nuts	ASTM A194 2H	ASTM A194 Gr.4	
7	Drain Plug	ASTM A105	Astm A182 F316	
OTHER MATERIALS ON REQUEST				

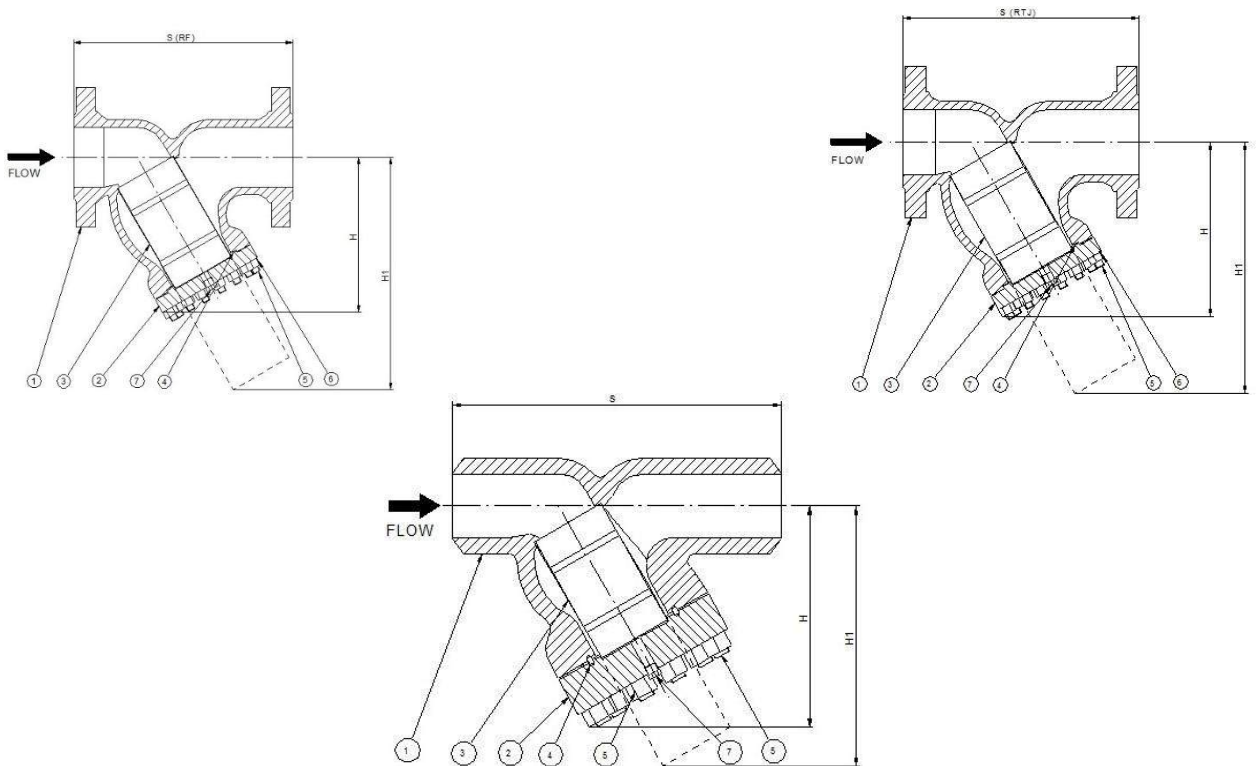
Designed to ANSI B16.34 the strainer bodies are produced with a superior wallthickness for corrosion allowance. Standard strainers are equipped with screens for the average service of most mediums ( steam, gas, air, oil, chemicals , etc. ). The large screen open area ensures an efficient filtering action with a low pressure drop. Filtering area to inlet area ratio is larger than 3 to 1 . Screens area manufactured with perforated plate in the materials and with the perforation specified in the relevant tables . Screens with different perforation ( or wire mesh ) and materials may be manufactured on request.

#### LIMITING CONDITIONS

According to the body rating (ANSI B 16.34)  
C600 – ANSI 600. OTHER RATING ON REQUEST

#### CONNECTIONS

Buttweld	ASME B 16.25
Flanged	ASME B 16.5



SIZE	1/2"	3/4"	1"	1.1/2"	2"	3"	4"
S(RTJ)[mm]	165	191	203	216	295	259	435
S(RF)[mm]	165	191	203	216	292	356	432
S [mm]	165	191	203	216	292	356	432
H [mm]	120	140	115	170	193	260	310
H1 [mm]	180	210	240	240	270	320	400
Weight [kg]	6	9	11	11	35	60	95

SIZE	6"	8"	10"	12"	14"	16"
S(RTJ)[mm]	562	663	790	841	892	994
S(RF)[mm]	559	660	787	838	889	991
S [mm]	559	660	787	838	889	991
H [mm]	400	500	600	720	865	991
H1 [mm]	530	650	790	1200	1420	1520
Weight [kg]	230	400	590	700	770	1140

STANDARD PERFORATIONS: 1.5 mm  
 SPECIAL PERFORATIONS ON REQUEST  
 DRAIN PLUG: 3/4" NPT